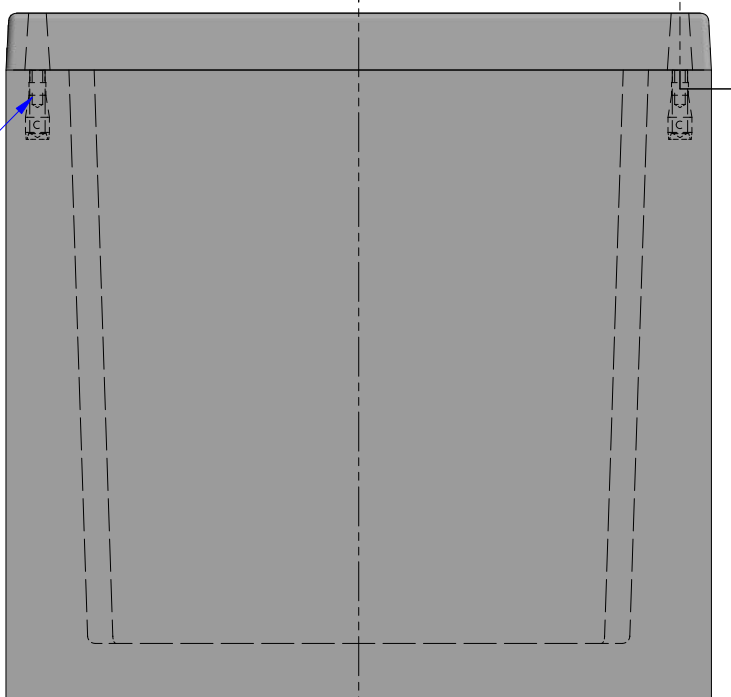
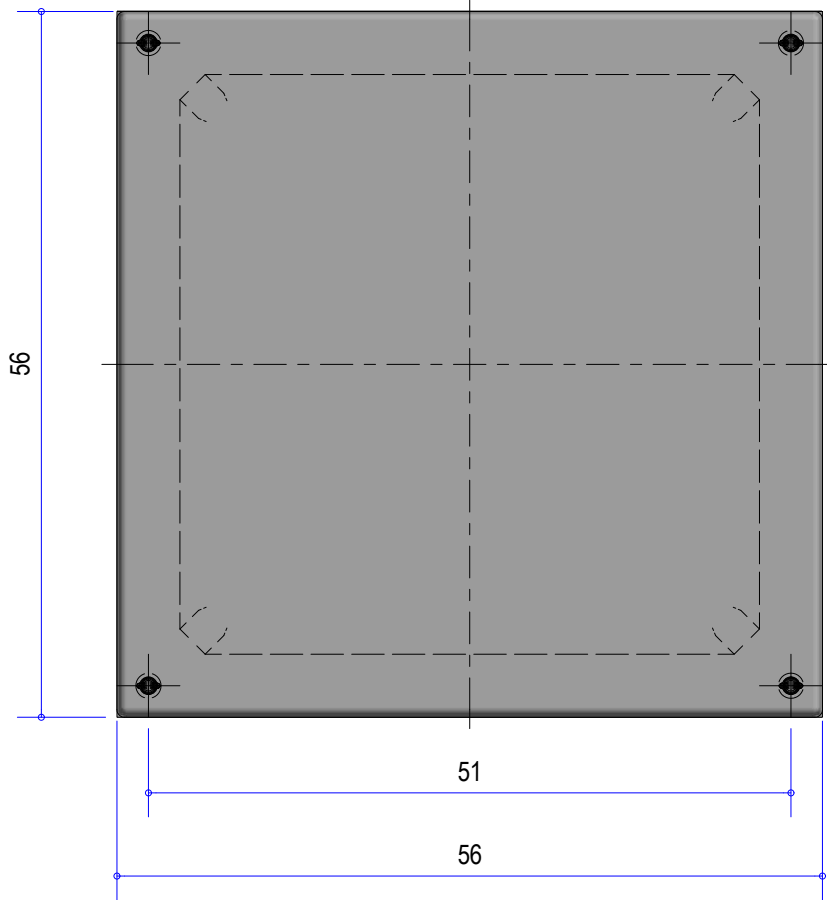


VOORAANZICHT
VUE DE FACE

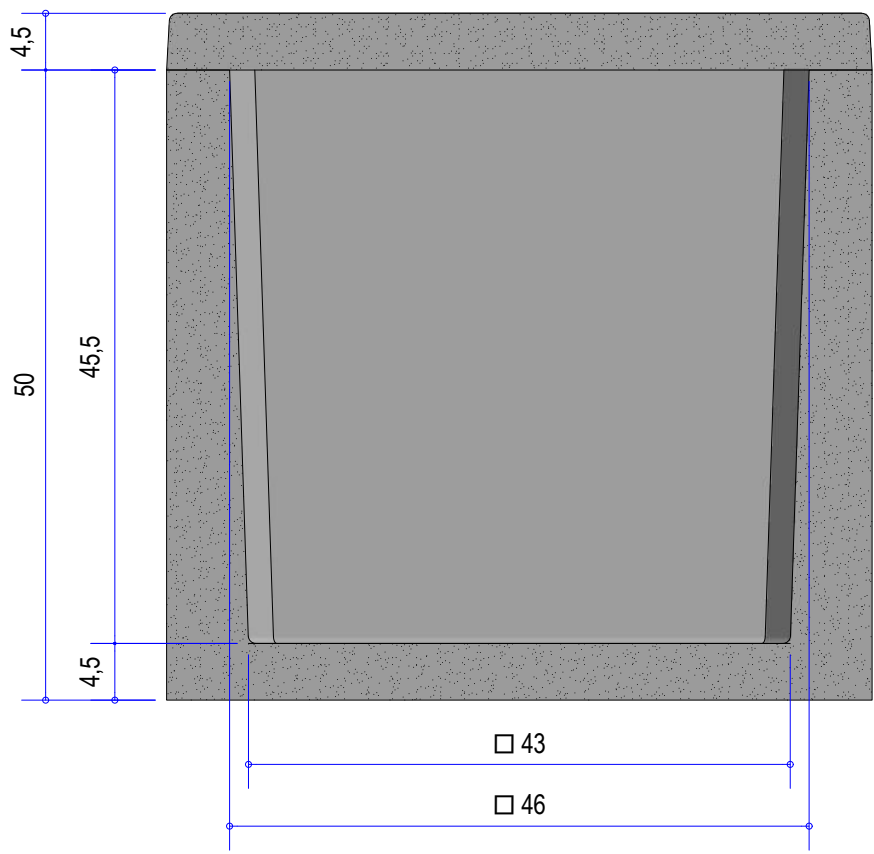
M10x1.5



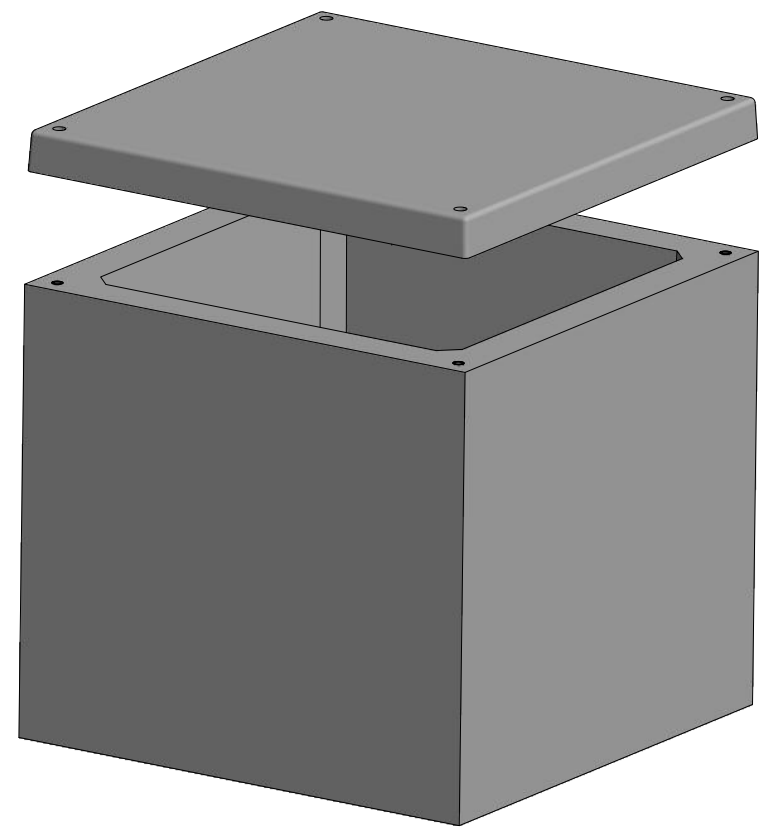
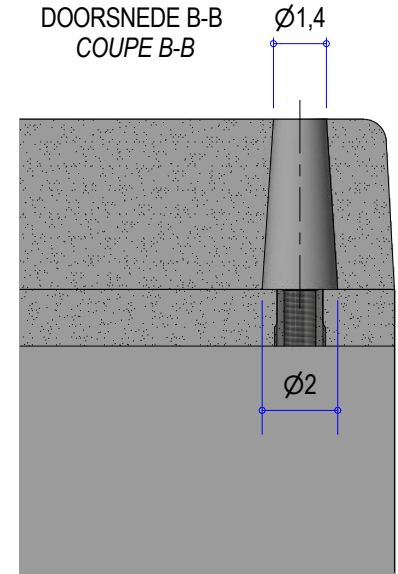
BOVENAANZICHT
VUE DE DESSUS



DOORSNEDE A-A
COUPE A-A



DOORSNEDE B-B
COUPE B-B



HOOGLANTS BETON
HOOGLANTS Beton
Holstraat 3-5
1831 Diegem
02/252 22 78
02/252 56 83
info@hoolants-beton.be
www.hoolants-beton.com

DRAWN BY: SG DATE: 28/02/2018
APPROVED BY: VH DATE: 12/04/2018

PROPRIETARY
THIS DOCUMENT MAY CONTAIN CONFIDENTIAL TECHNICAL DATA, INCLUDING TRADE SECRETS PROPRIETARY TO HOOGLANTS BETON. THE DRAWING, DESIGN RIGHTS AND ALL OTHER DISCLOSURES IN THIS DOCUMENT ARE THE PROPERTY OF HOOGLANTS BETON. UNAUTHORIZED USE, COPYING, DISTRIBUTION TO THIRD PARTIES, MANUFACTURE, OR REPRODUCTION IN WHOLE OR IN PART IS PROHIBITED.

REMARKS:
afmetingen in cm - wijzigingen voorbehouden

MATERIAL:	BETON / BÉTON	SCALE:	1 : 6
WEIGHT:	157.2 kg	SIZE:	A3
TITLE:	URNENKELDER Cavurne		
SHEET:	NUMBER:	REV:	
1 of 1	U56-4H	01	