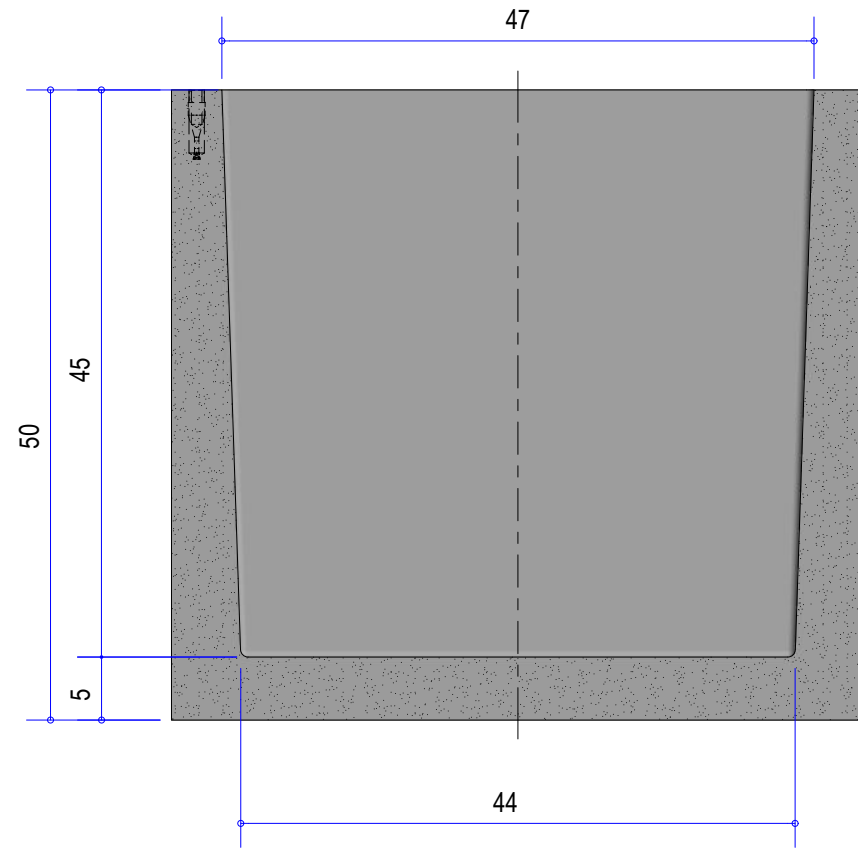
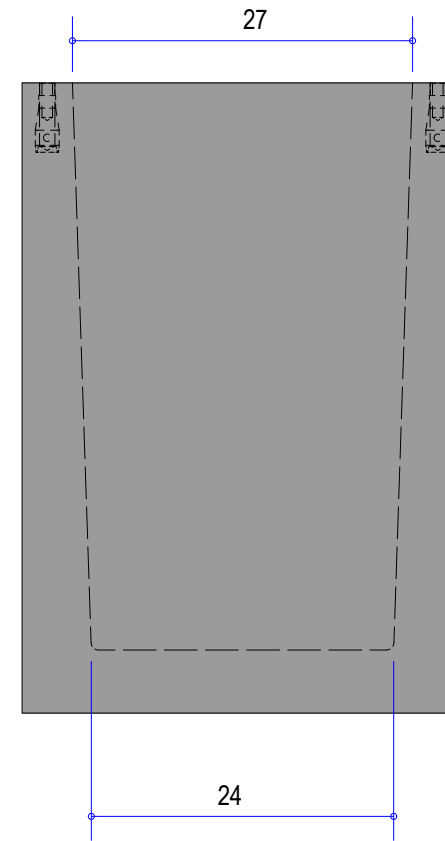


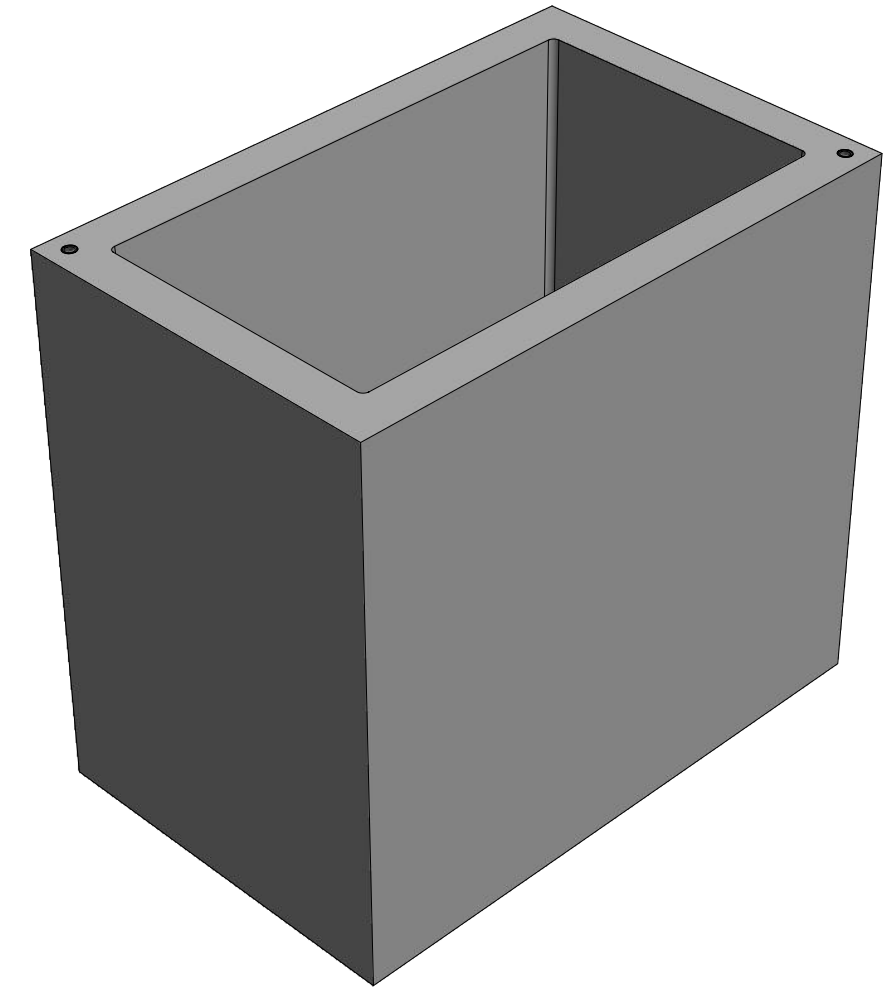
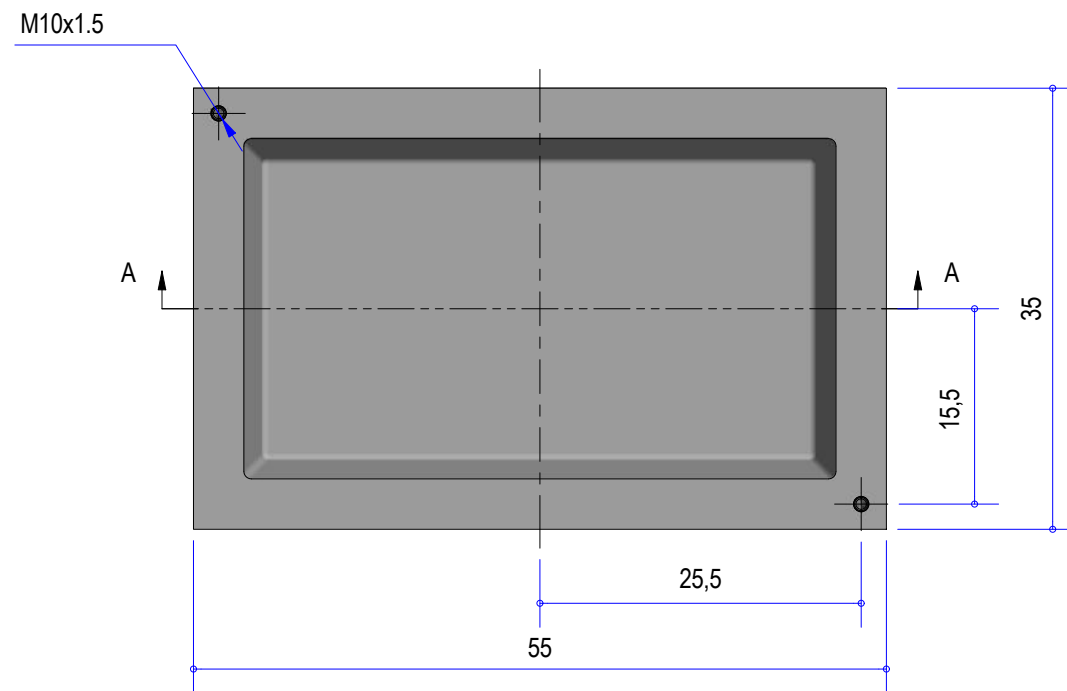
DOORSNEDE A-A
COUPE A-A



ZIJAANZICHT
VUE LATÉRALE



BOVENAANZICHT
VUE DE DESSUS



HOOGLANTS BETON
 HOOGLANTS Beton : 02/252 22 78
 Holstraat 3-5 : 02/252 56 83
 1831 Diegem : info@hooiglants-beton.be
 www.hooiglants-beton.com

DRAWN BY: SG	DATE: 16/04/2018
APPROVED BY: VH	DATE: 18/04/2018
PROPRIETARY <small>THIS DOCUMENT MAY CONTAIN CONFIDENTIAL TECHNICAL DATA, INCLUDING TRADE SECRETS PROPRIETARY TO HOOGLANTS BETON. THE DRAWING, DESIGN RIGHTS AND ALL OTHER DISCLOSURES IN THIS DOCUMENT ARE THE PROPERTY OF HOOGLANTS BETON. UNAUTHORIZED USE, COPYING, DISTRIBUTION TO THIRD PARTIES, MANUFACTURE, OR REPRODUCTION IN WHOLE OR IN PART IS PROHIBITED.</small>	
REMARKS: afmetingen in cm - wijzigingen voorbehouden	

MATERIAL: BETON / BÉTON	SCALE: 1 : 6
WEIGHT: - kg	SIZE: A3
TITLE: URNENKELDER Cavurne	
SHEET: 1 of 1	NUMBER: U55-2D REV: 01