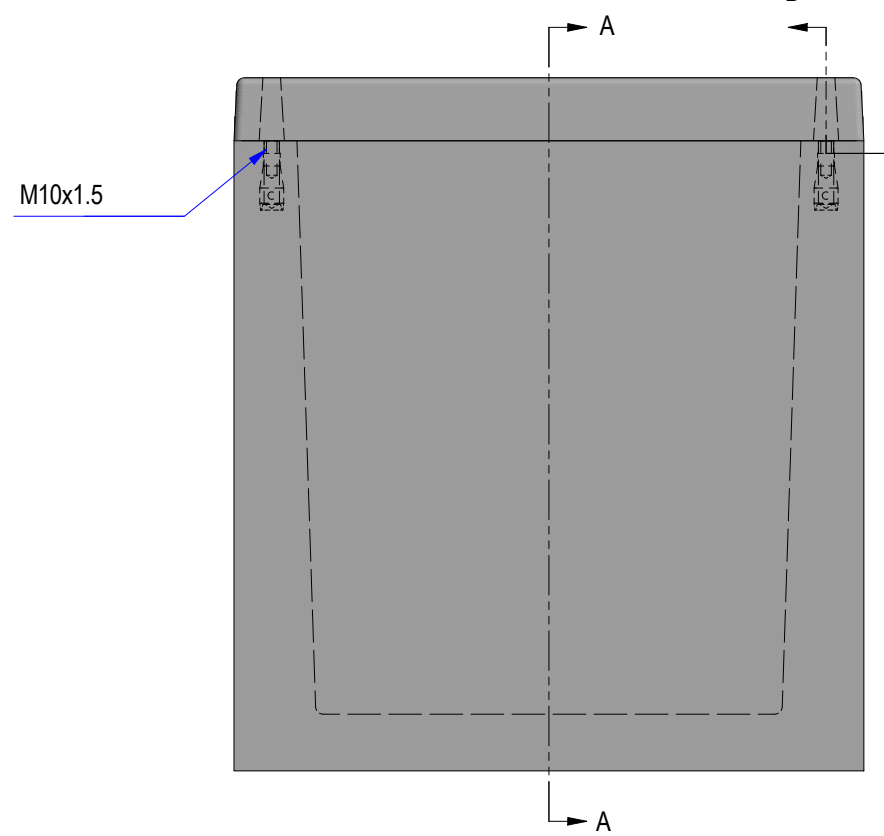
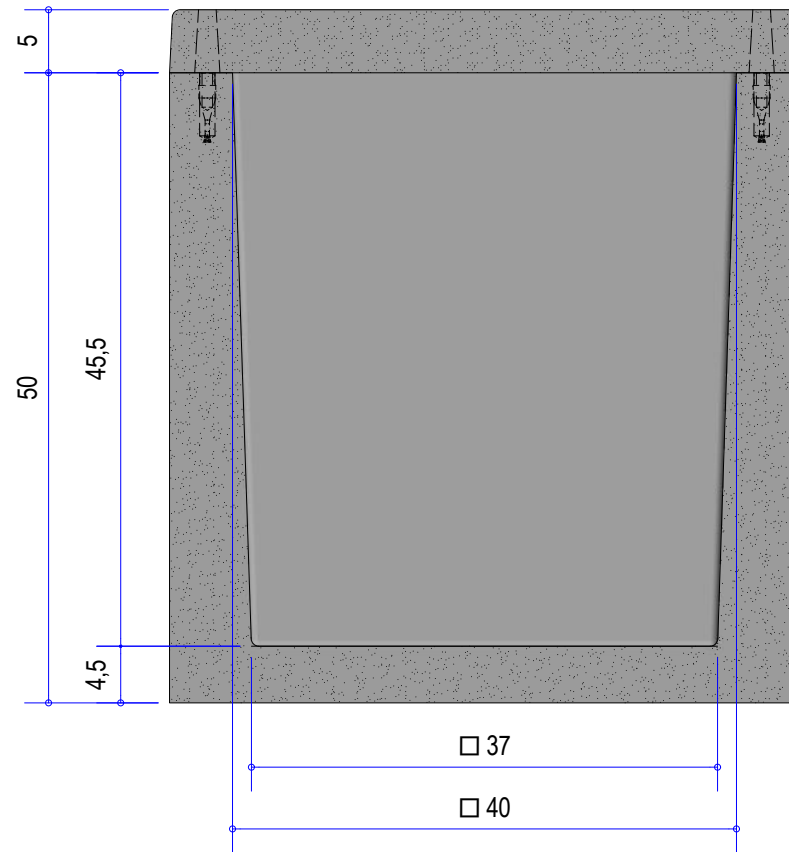


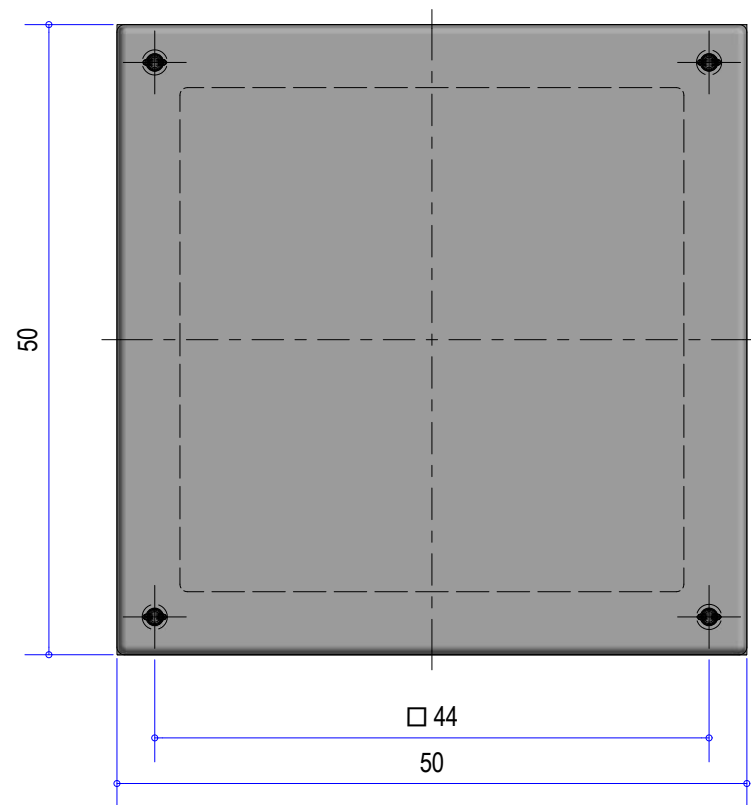
VOORAANZICHT
VUE DE FACE



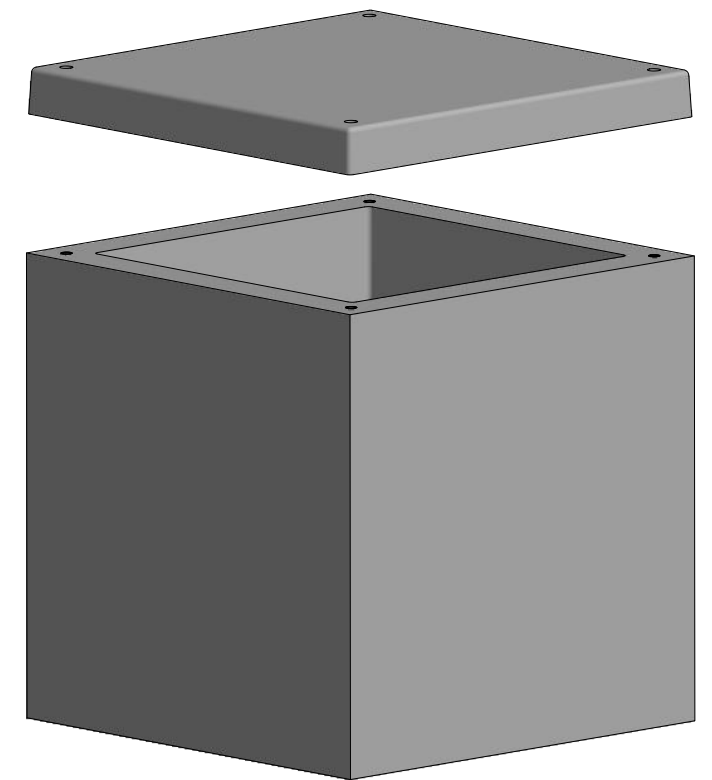
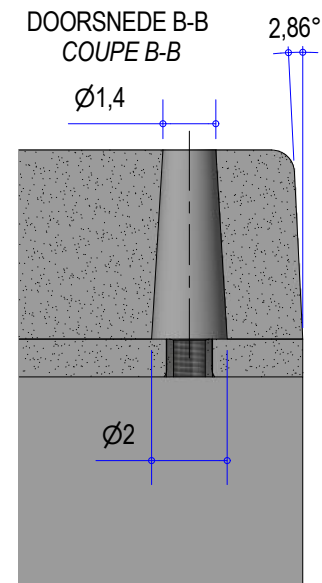
DOORSNEDE A-A
COUPE A-A




BOVENAANZICHT
VUE DE DESSUS



DOORSNEDE B-B
COUPE B-B



DRAWN BY:	SG	DATE:	28/02/2018
APPROVED BY:	VH	DATE:	12/04/2018
PROPRIETARY <small>THIS DOCUMENT MAY CONTAIN CONFIDENTIAL TECHNICAL DATA, INCLUDING TRADE SECRETS PROPRIETARY TO HOOLANTS BETON. THE DRAWING, DESIGN RIGHTS AND ALL OTHER DISCLOSURES IN THIS DOCUMENT ARE THE PROPERTY OF HOOLANTS BETON. UNAUTHORIZED USE, COPYING, DISTRIBUTION TO THIRD PARTIES, MANUFACTURE, OR REPRODUCTION IN WHOLE OR IN PART IS PROHIBITED.</small>			
REMARKS:			
afmetingen in cm - wijzigingen voorbehouden			

 HOOLANTS Beton Holstraat 3-5 1831 Diegem ☎ 02/252 22 78 ☎ 02/252 56 83 ✉ info@hoolants-beton.be 🌐 www.hoolants-beton.com			
MATERIAL:	BETON / BÉTON	SCALE:	1 : 6
WEIGHT:	135.7 kg	SIZE:	A3
TITLE:			
URNENKELDER Cavurne			
SHEET:	NUMBER:	REV:	
1 of 1	U50-4H	01	