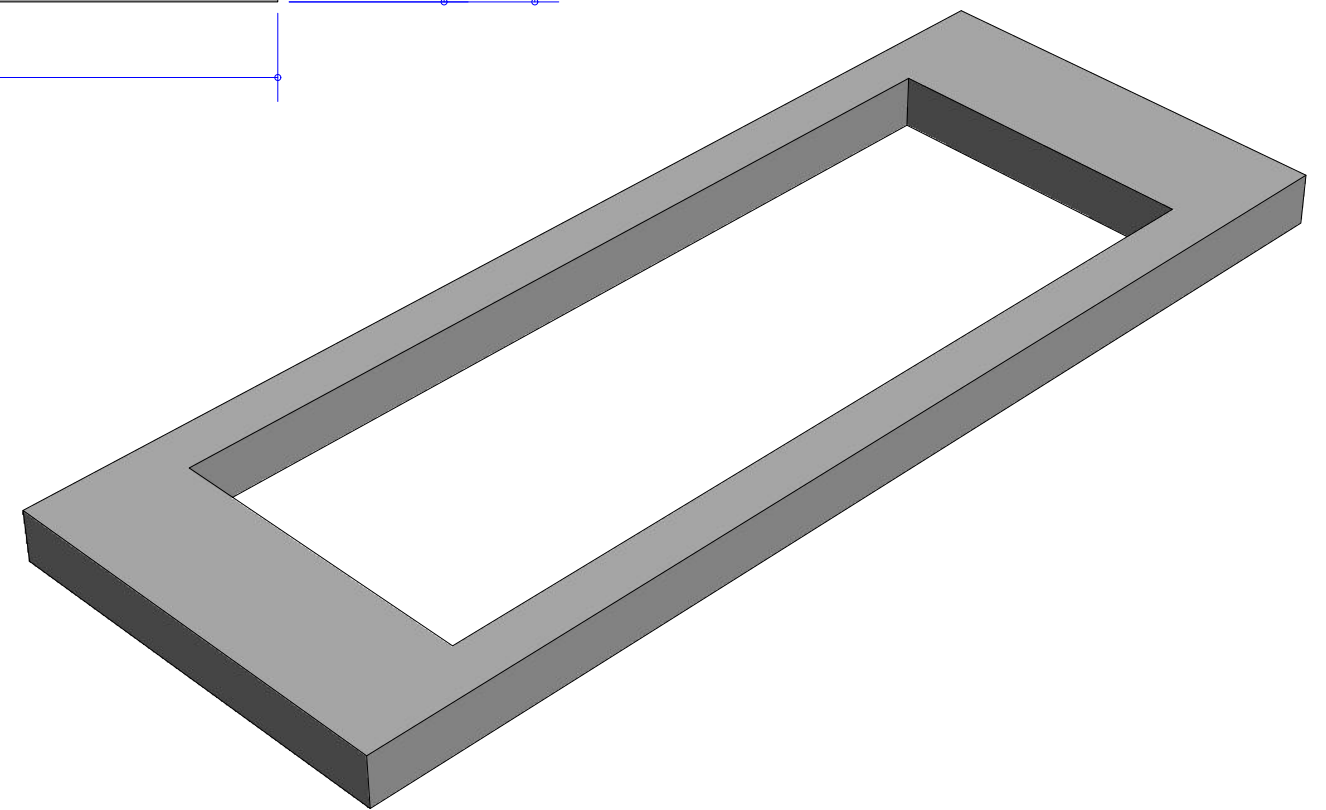
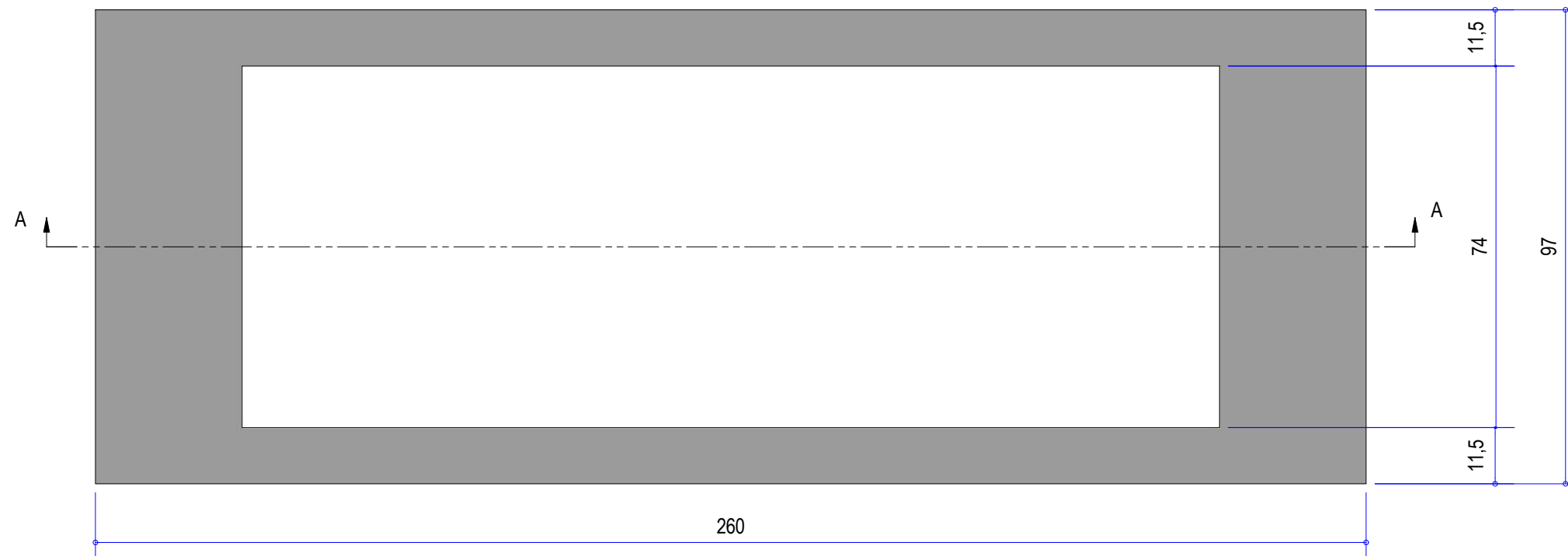
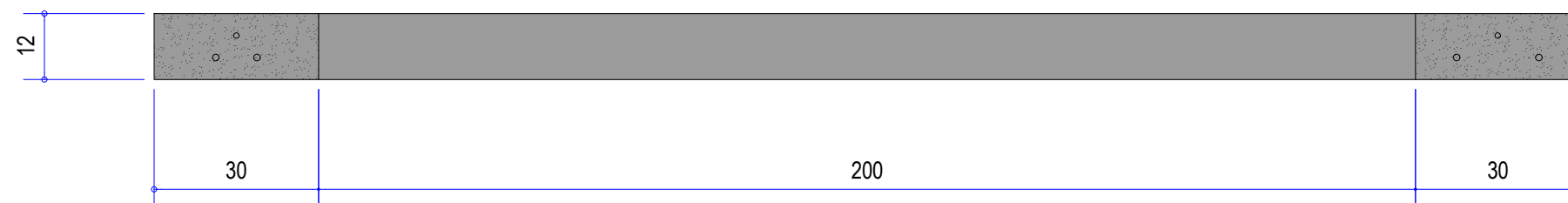


BOVENAANZICHT  
VUE DE DESSUS




DOORSNEDE A-A  
COUPE A-A



DRAWN BY:	SG	DATE:	28/02/2018
APPROVED BY:	VH	DATE:	12/04/2018

**PROPRIETARY**  
THIS DOCUMENT MAY CONTAIN CONFIDENTIAL TECHNICAL DATA, INCLUDING TRADE SECRETS PROPRIETARY TO HOOLANTS BETON. THE DRAWING, DESIGN RIGHTS AND ALL OTHER DISCLOSURES IN THIS DOCUMENT ARE THE PROPERTY OF HOOLANTS BETON. UNAUTHORIZED USE, COPYING, DISTRIBUTION TO THIRD PARTIES, MANUFACTURE, OR REPRODUCTION IN WHOLE OR IN PART IS PROHIBITED.

**REMARKS:**  
afmetingen in cm - wijzigingen voorbehouden  
wij zijn niet verantwoordelijk voor afwijkingen van deze afmetingen - beton kaders worden direct ontkist

 <b>HOOLANTS Beton</b> Holstraat 3-5 1831 Diegem ☎ 02/252 22 78 ☎ 02/252 56 83 ✉ info@hoolants-beton.be 🌐 www.hoolants-beton.com			
MATERIAL:	BETON / BÉTON	SCALE:	1 : 12
WEIGHT:	- kg	SIZE:	A3
TITLE: <b>BETON KADER 260x97x12</b> CADRES EN BÉTON 260x97x12			
SHEET:	NUMBER:	REV:	
1 of 1	K260	01	