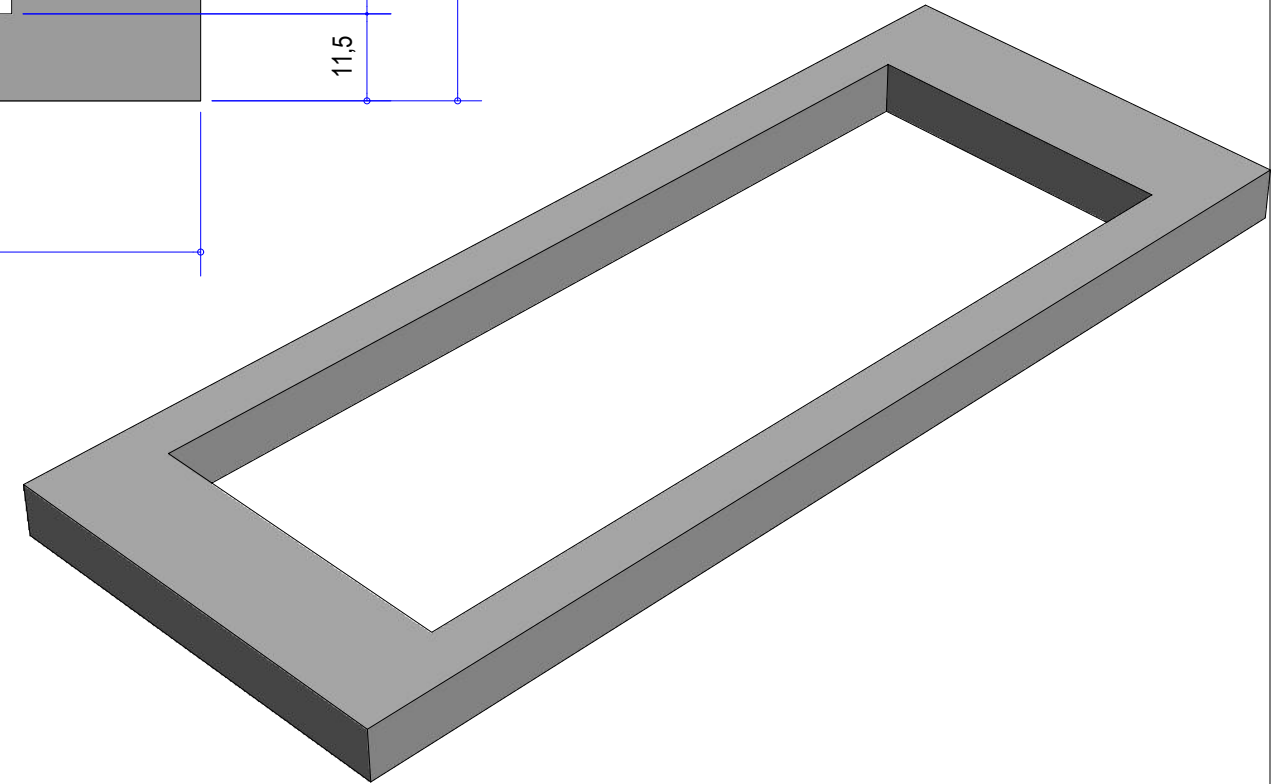
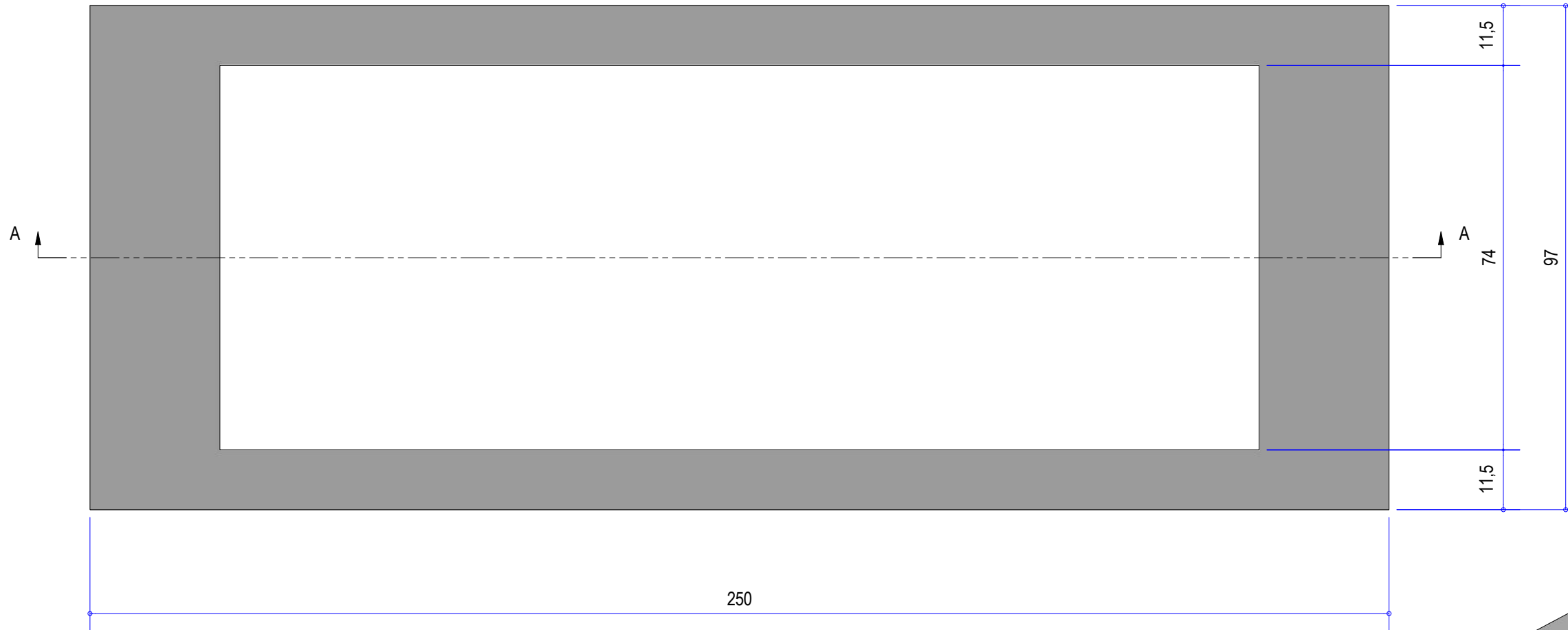
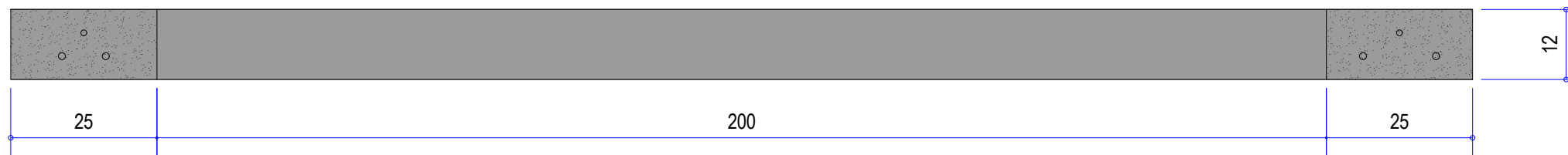


BOVENAANZICHT
VUE DE DESSUS



DOORSNEDE A-A
COUPE A-A



HOOOLANTSBETON  **HOOOLANTS Beton**  02/252 22 78
Holstraat 3-5  02/252 56 83
1831 Diegem  info@hoolants-beton.be
 www.hoolants-beton.com

MATERIAL:	BETON / BÉTON	SCALE:	1 : 10
WEIGHT:	- kg	SIZE:	A3
TITLE:	BETON KADER 250x97x12 CADRES EN BÉTON 250x97x12		
SHEET:	NUMBER:	REV:	
1 of 1	K250	01	

DRAWN BY:	SG	DATE:	28/02/2018
APPROVED BY:	VH	DATE:	12/04/2018
PROPRIETARY	THIS DOCUMENT MAY CONTAIN CONFIDENTIAL TECHNICAL DATA, INCLUDING TRADE SECRETS PROPRIETARY TO HOOOLANTS BETON. THE DRAWING, DESIGN RIGHTS AND ALL OTHER DISCLOSURES IN THIS DOCUMENT ARE THE PROPERTY OF HOOOLANTS BETON. UNAUTHORIZED USE, COPYING, DISTRIBUTION TO THIRD PARTIES, MANUFACTURE, OR REPRODUCTION IN WHOLE OR IN PART IS PROHIBITED.		
REMARKS:	afmetingen in cm - wijzigingen voorbehouden wij zijn niet verantwoordelijk voor afwijkingen van deze afmetingen - beton kaders worden direct ontkist		