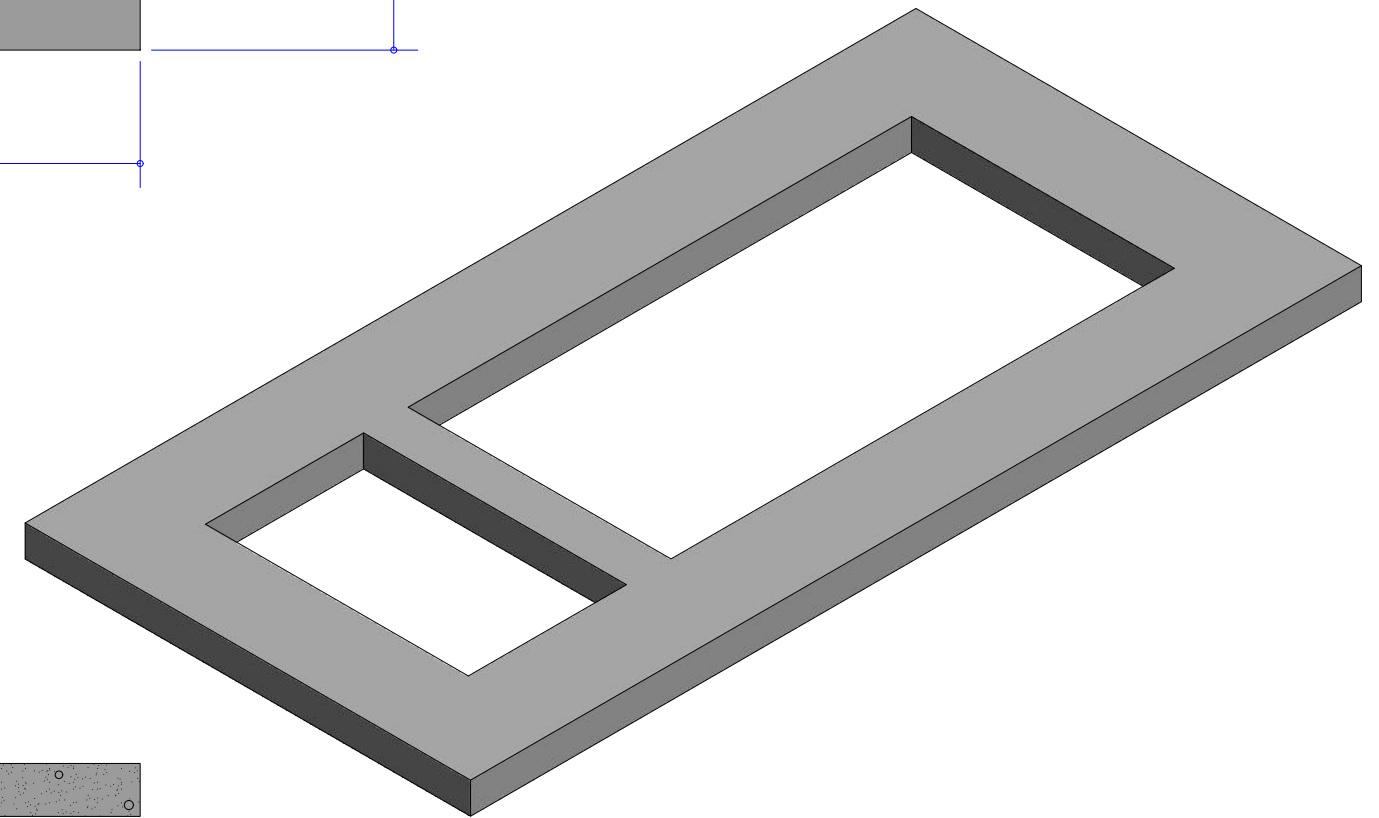
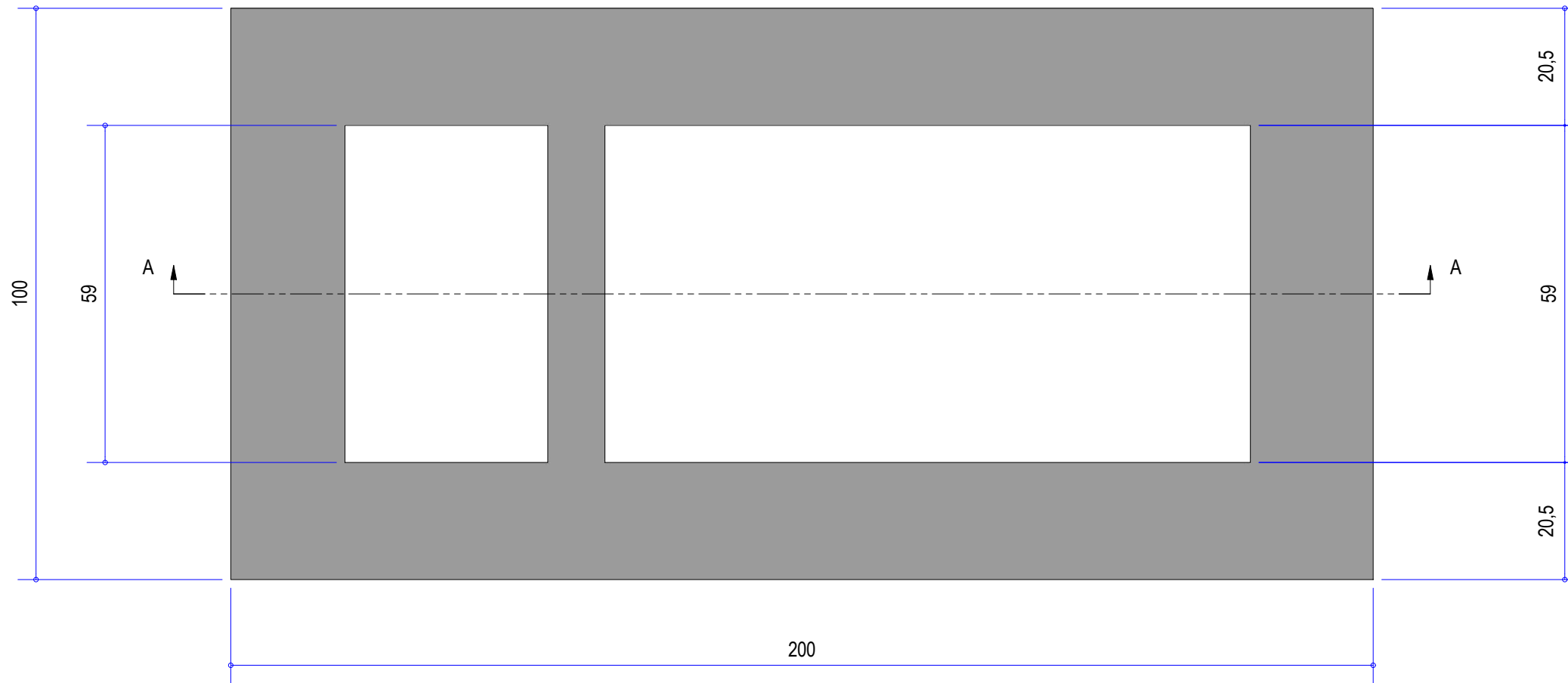
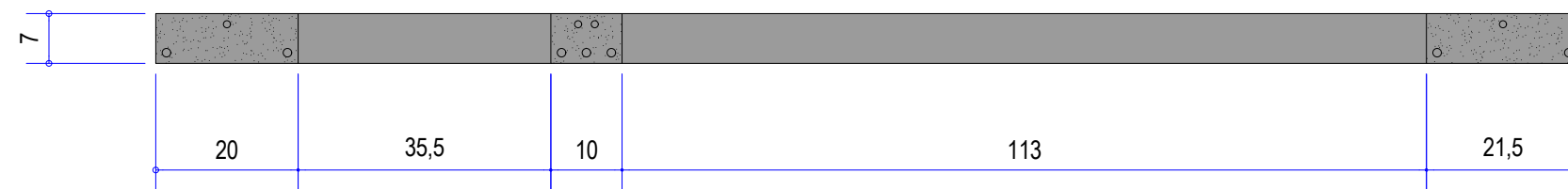



BOVENAANZICHT  
VUE DE DESSUS



DOORSNEDE A-A  
COUPE A-A



DRAWN BY:	SG	DATE:	28/02/2018
APPROVED BY:	VH	DATE:	12/04/2018
<b>PROPRIETARY</b> <small>THIS DOCUMENT MAY CONTAIN CONFIDENTIAL TECHNICAL DATA, INCLUDING TRADE SECRETS PROPRIETARY TO HOOLANTS BETON. THE DRAWING, DESIGN RIGHTS AND ALL OTHER DISCLOSURES IN THIS DOCUMENT ARE THE PROPERTY OF HOOLANTS BETON. UNAUTHORIZED USE, COPYING, DISTRIBUTION TO THIRD PARTIES, MANUFACTURE, OR REPRODUCTION IN WHOLE OR IN PART IS PROHIBITED.</small>			
<b>REMARKS:</b> afmetingen in cm - wijzigingen voorbehouden wij zijn niet verantwoordelijk voor afwijkingen van deze afmetingen - beton kaders worden direct ontkist			

 <b>HOOLANTS Beton</b> Holstraat 3-5 1831 Diegem ☎ 02/252 22 78 ☎ 02/252 56 83 ✉ info@hoolants-beton.be 🌐 www.hoolants-beton.com			
MATERIAL:	BETON / BÉTON	SCALE:	1 : 10
WEIGHT:	180 kg	SIZE:	A3
<b>TITLE:</b> <b>BETON KADER 200x100x7</b> CADRES EN BÉTON 200x100x7			
SHEET:	NUMBER:	REV:	
1 of 1	K200	01	