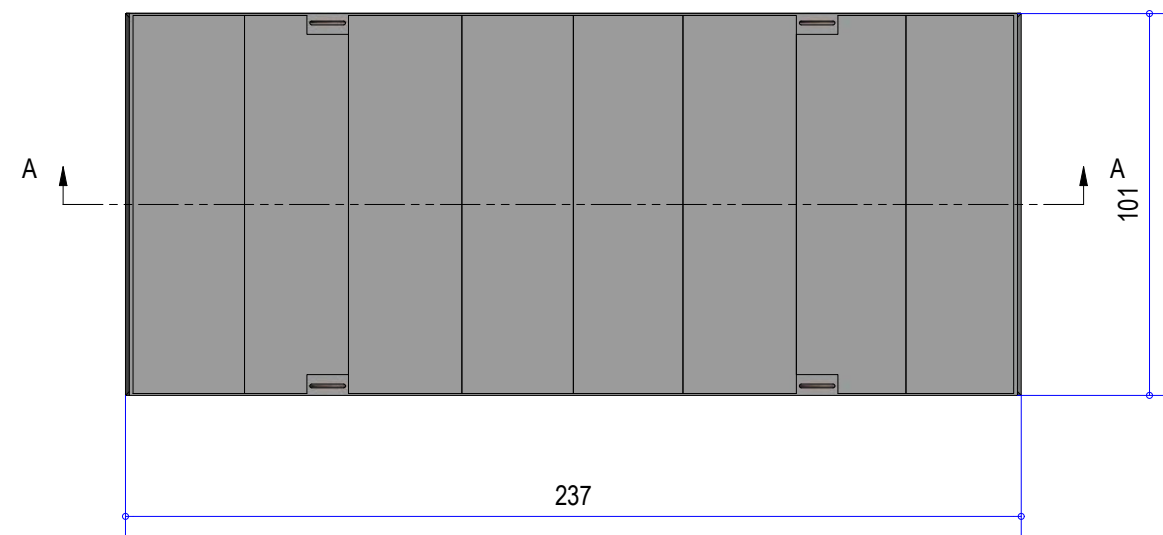
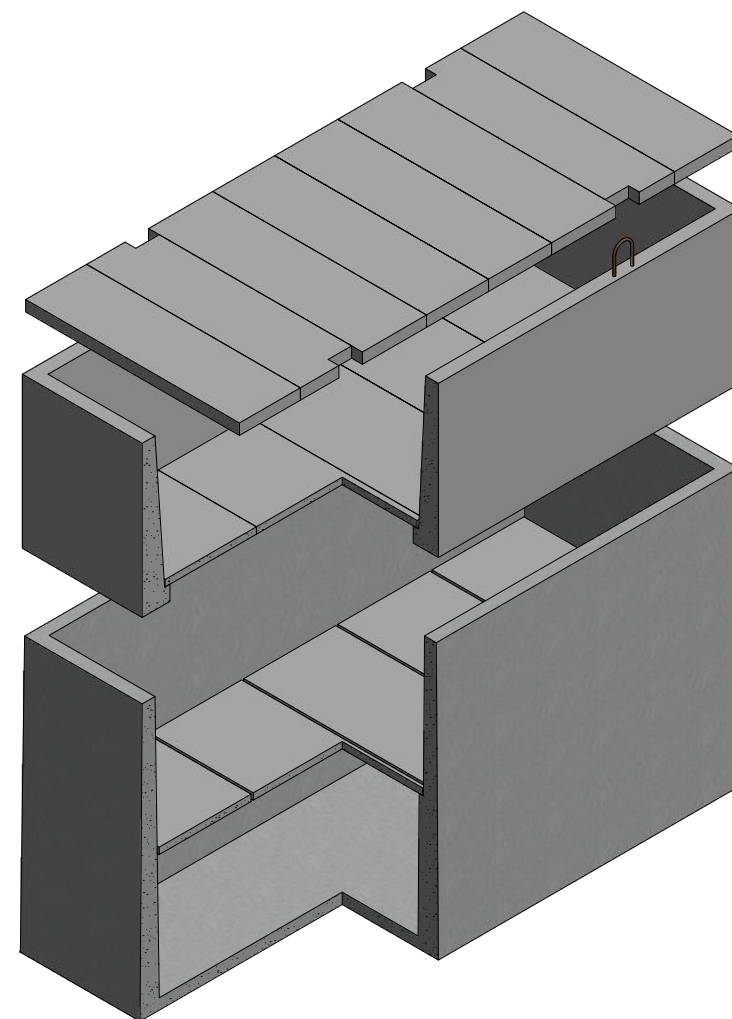
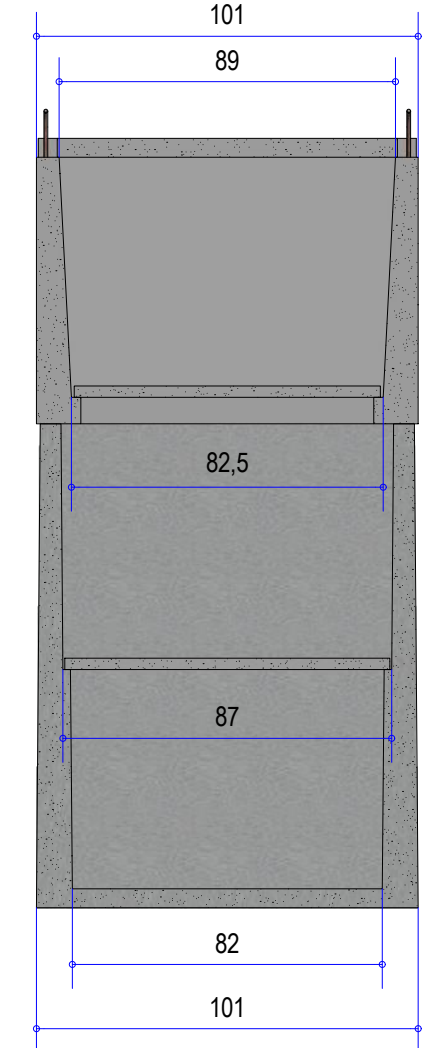


BOVENAANZICHT
VUE DE DESSUS



DOORSNEDE B-B
COUPE B-B



DRAWN BY: SG	DATE: 28/02/2018
APPROVED BY: VH	DATE: 28/02/2018
PROPRIETARY <small>THIS DOCUMENT MAY CONTAIN CONFIDENTIAL TECHNICAL DATA, INCLUDING TRADE SECRETS PROPRIETARY TO HOOLANTS BETON. THE DRAWING, DESIGN RIGHTS AND ALL OTHER DISCLOSURES IN THIS DOCUMENT ARE THE PROPERTY OF HOOLANTS BETON. UNAUTHORIZED USE, COPYING, DISTRIBUTION TO THIRD PARTIES, MANUFACTURE, OR REPRODUCTION IN WHOLE OR IN PART IS PROHIBITED.</small>	
REMARKS: afmetingen in cm - wijzigingen voorbehouden wij zijn niet verantwoordelijk voor afwijkingen van deze afmetingen - grafkelders worden direct ontkist	

 HOOLANTS Beton Holstraat 3-5 1831 Diegem ☎ 02/252 22 78 ☎ 02/252 56 83 ✉ info@hoolants-beton.be 🌐 www.hoolants-beton.com	
MATERIAL: BETON / BÉTON	SCALE: 1 : 20
WEIGHT: - kg	SIZE: A3
TITLE: Grafkelder 3 personen boven open 1m breed Caveau pour 3 personnes ouverture par dessus 1m largeur	
SHEET: 1 of 1	NUMBER: G3B1
REV: 01	