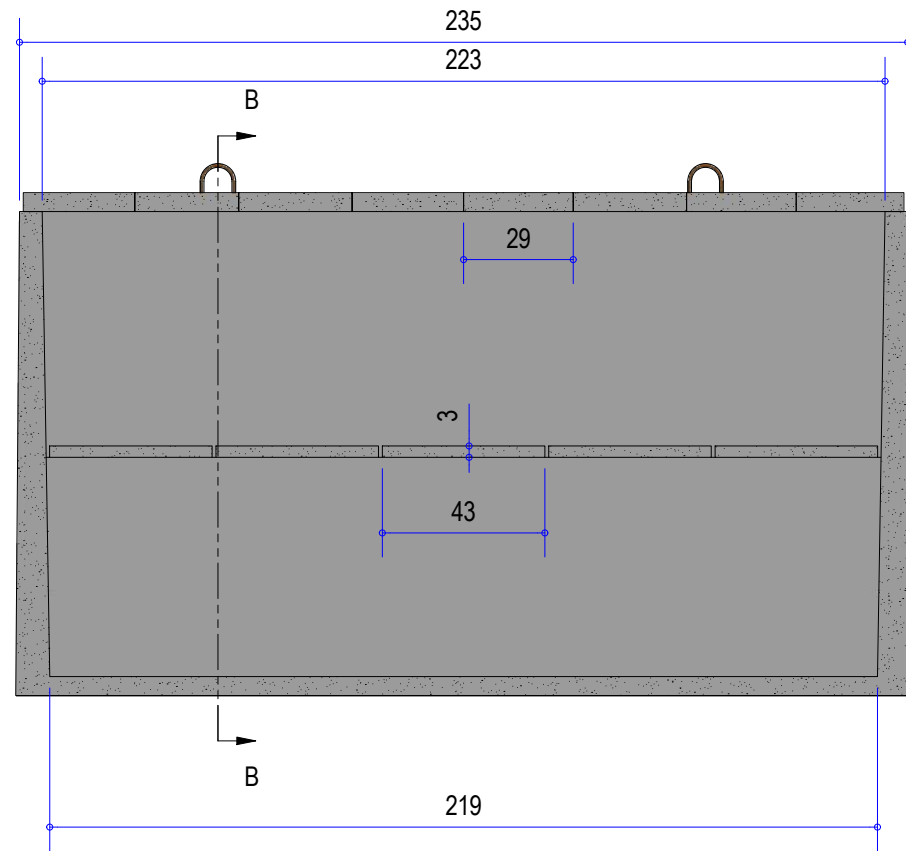
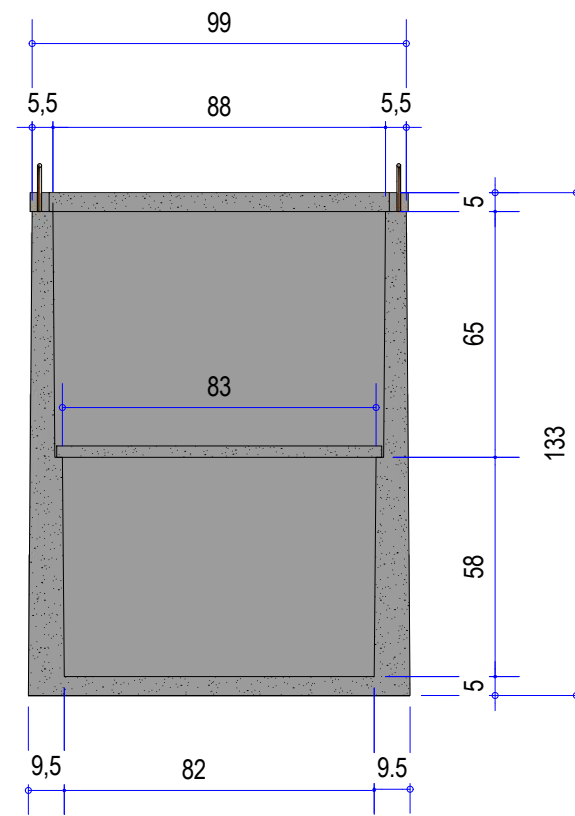


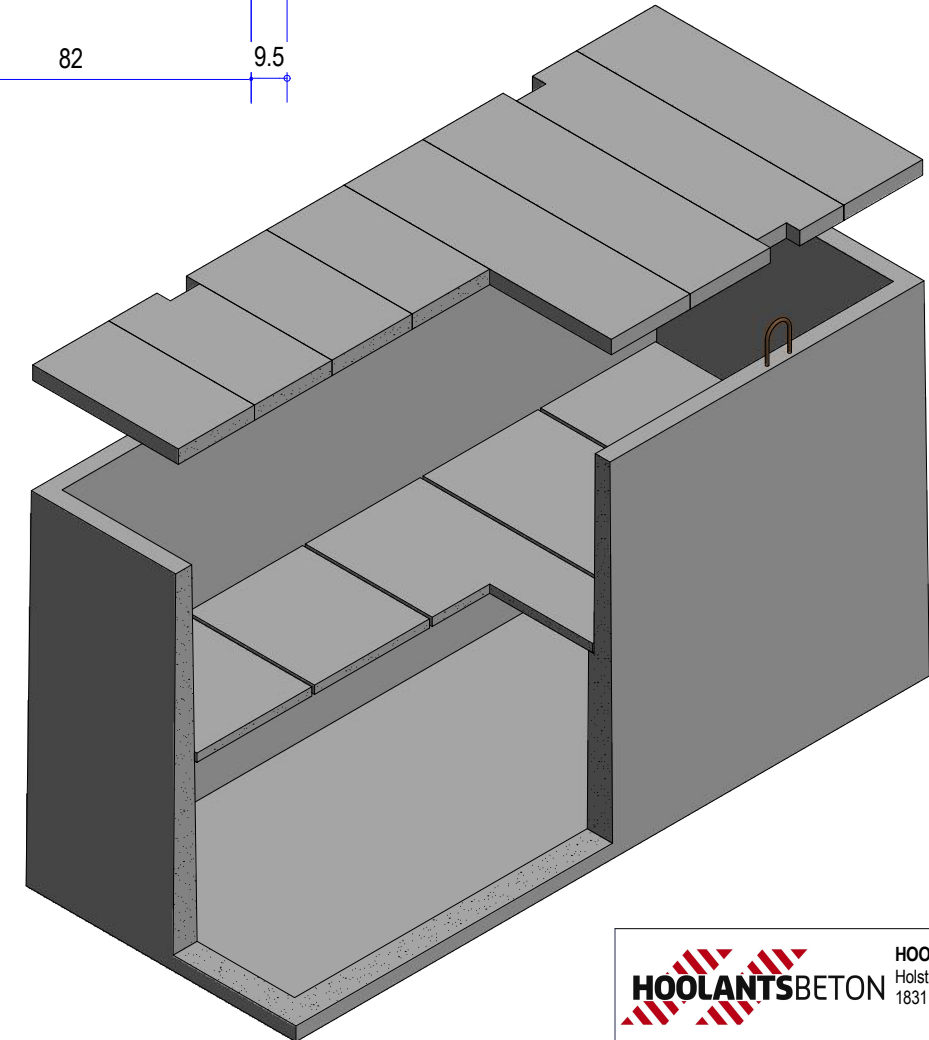
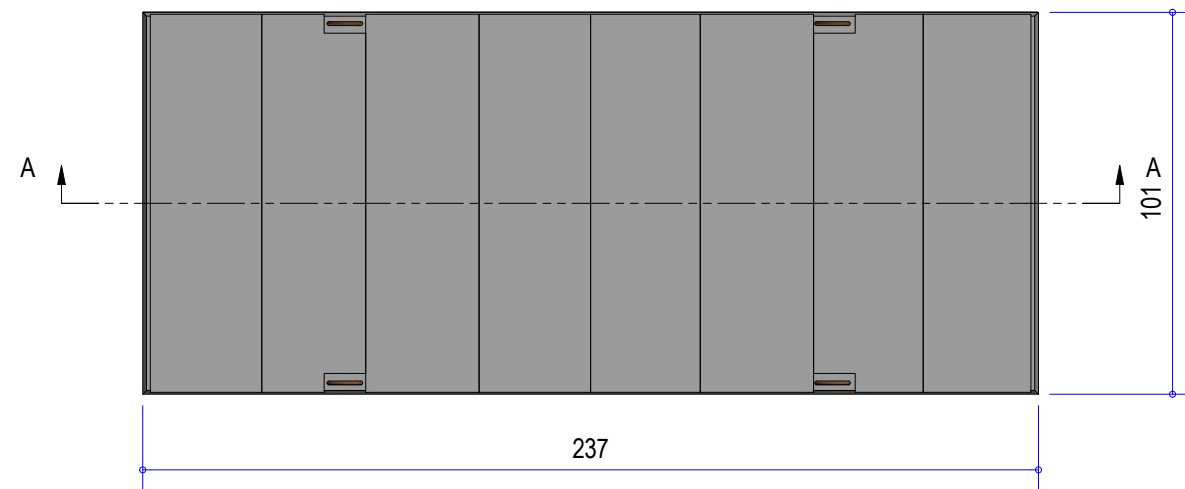
DOORSNEDE A-A
COUPE A-A




DOORSNEDE B-B
COUPE B-B



BOVENAANZICHT
VUE DE DESSUS



DRAWN BY:	SG	DATE:	28/02/2018
APPROVED BY:	VH	DATE:	28/02/2018
PROPRIETARY <small>THIS DOCUMENT MAY CONTAIN CONFIDENTIAL TECHNICAL DATA, INCLUDING TRADE SECRETS PROPRIETARY TO HOOLANTS BETON. THE DRAWING, DESIGN RIGHTS AND ALL OTHER DISCLOSURES IN THIS DOCUMENT ARE THE PROPERTY OF HOOLANTS BETON. UNAUTHORIZED USE, COPYING, DISTRIBUTION TO THIRD PARTIES, MANUFACTURE, OR REPRODUCTION IN WHOLE OR IN PART IS PROHIBITED.</small>			
REMARKS: <small>afmetingen in cm - wijzigingen voorbehouden wij zijn niet verantwoordelijk voor afwijkingen van deze afmetingen - grafkelders worden direct ontkist</small>			

 HOOLANTS Beton <small>Holstraat 3-5 1831 Diegem</small>		<small>02/252 22 78 02/252 56 83 info@hoolants-beton.be www.hoolants-beton.com</small>
MATERIAL:	BETON / BÉTON	SCALE: 1 : 20
WEIGHT:	2.024 kg	SIZE: A3
TITLE: Grafkelder 2 personen boven open 1m breedte Caveau pour 2 personnes ouverture pardessus 1m largeur		
SHEET:	NUMBER:	REV:
1 of 1	G2B1	01