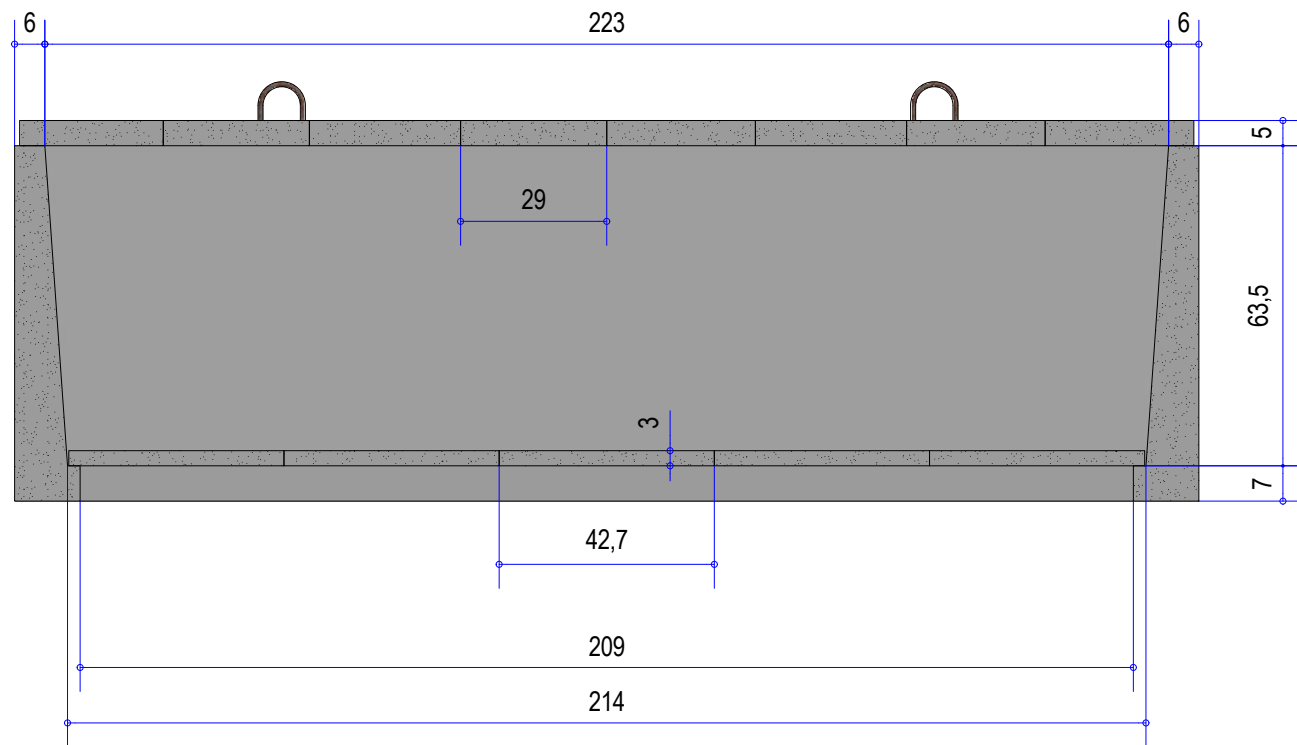
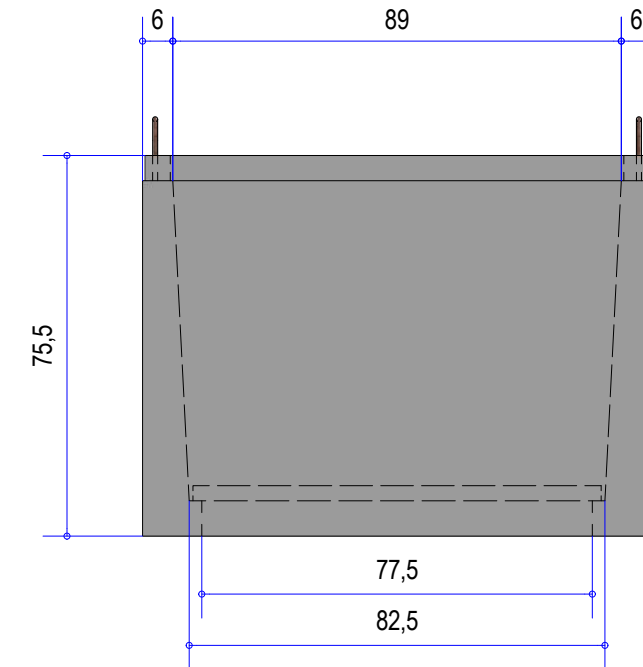


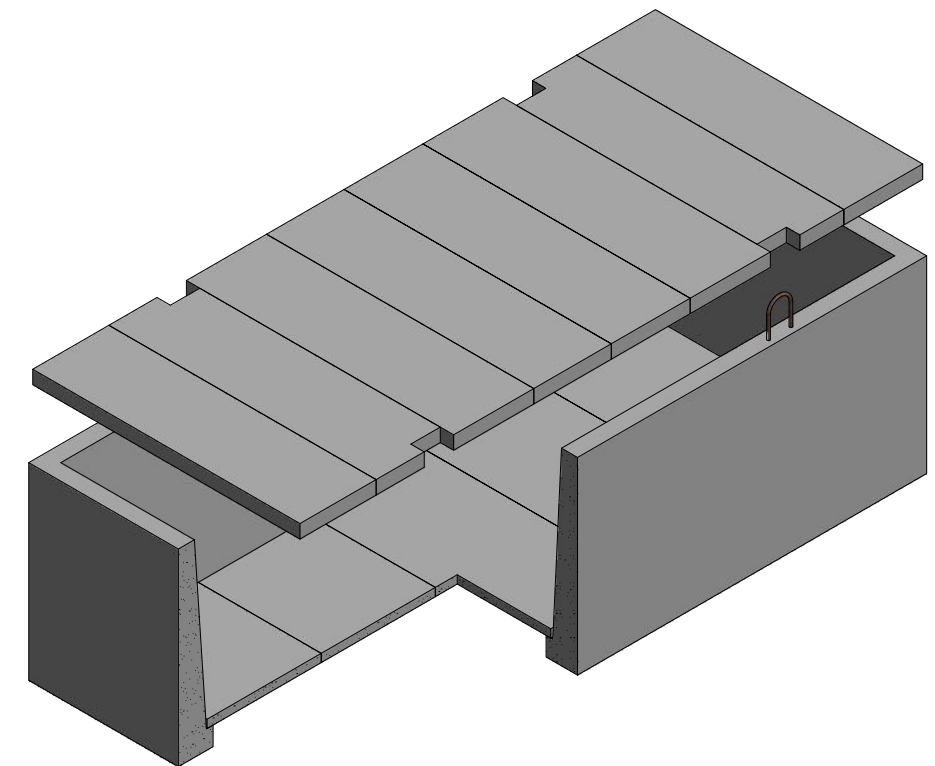
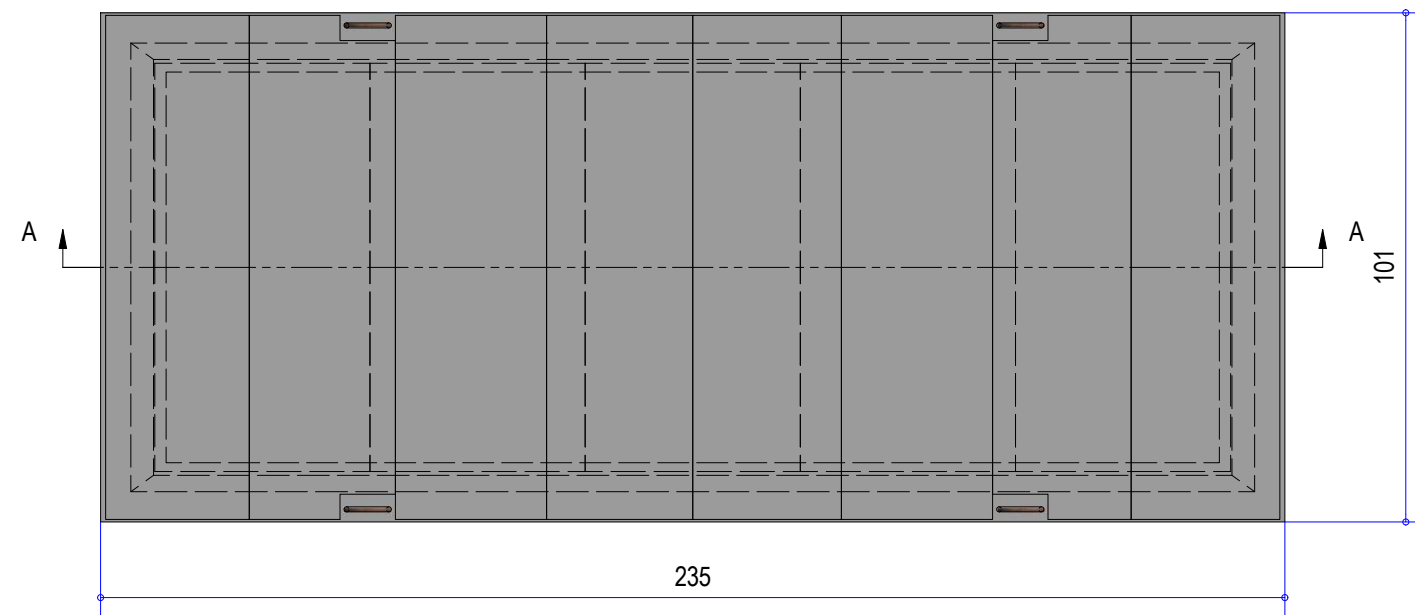
DOORSNEDE A-A
COUPE A-A



ZIJAANZICHT
VUE LATÉRALE



BOVENAANZICHT
VUE DE DESSUS



HOOLANTSBETON
 HOO LANTS Beton : 02/252 22 78
 Holstraat 3-5 : 02/252 56 83
 1831 Diegem : info@hoolants-beton.be
 www.hoolants-beton.com

DRAWN BY: SG DATE: 28/02/2018
 APPROVED BY: VH DATE: 28/02/2018
PROPRIETARY
 THIS DOCUMENT MAY CONTAIN CONFIDENTIAL TECHNICAL DATA, INCLUDING TRADE SECRETS PROPRIETARY TO HOO LANTS BETON. THE DRAWING, DESIGN RIGHTS AND ALL OTHER DISCLOSURES IN THIS DOCUMENT ARE THE PROPERTY OF HOO LANTS BETON. UNAUTHORIZED USE, COPYING, DISTRIBUTION TO THIRD PARTIES, MANUFACTURE, OR REPRODUCTION IN WHOLE OR IN PART IS PROHIBITED.
 REMARKS: afmetingen in cm - wijzigingen voorbehouden
 wij zijn niet verantwoordelijk voor afwijkingen van deze afmetingen - grafkelders worden direct ontkist

| | | | |
|---|---------------|--------|--------|
| MATERIAL: | BETON / BÉTON | SCALE: | 1 : 15 |
| WEIGHT: | 1.190 kg | SIZE: | A3 |
| TITLE: Grafkelder 1 persoon boven open zonder bodem 1m breed Caveau 1 personne ouverture dessus et sans fonds 1m largeur | | | |
| SHEET: | NUMBER: | REV: | |
| 1 of 1 | G1B1Z | 01 | |