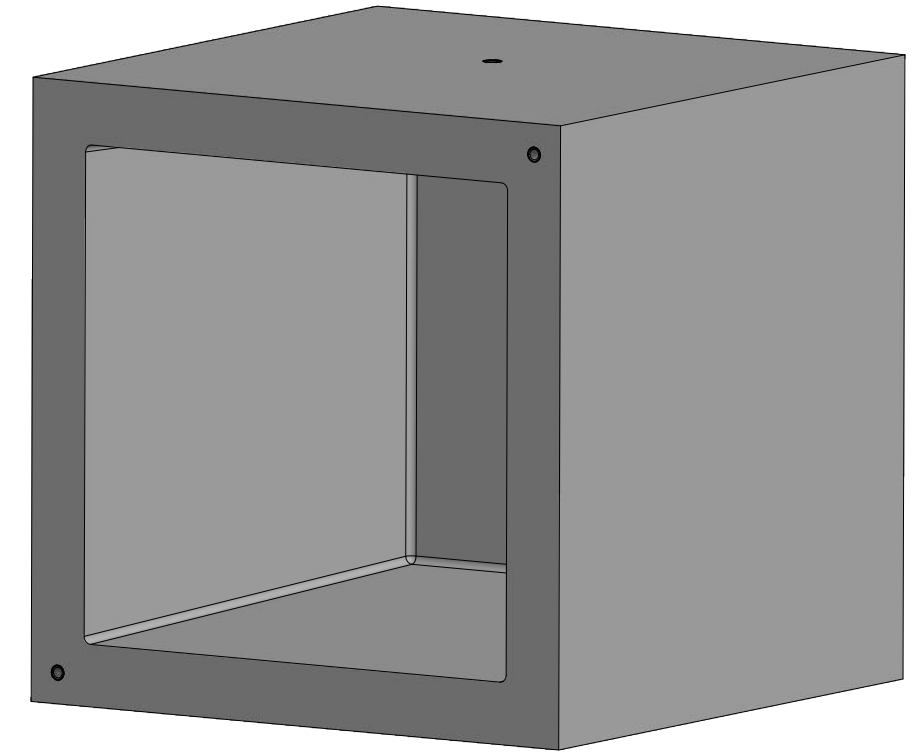
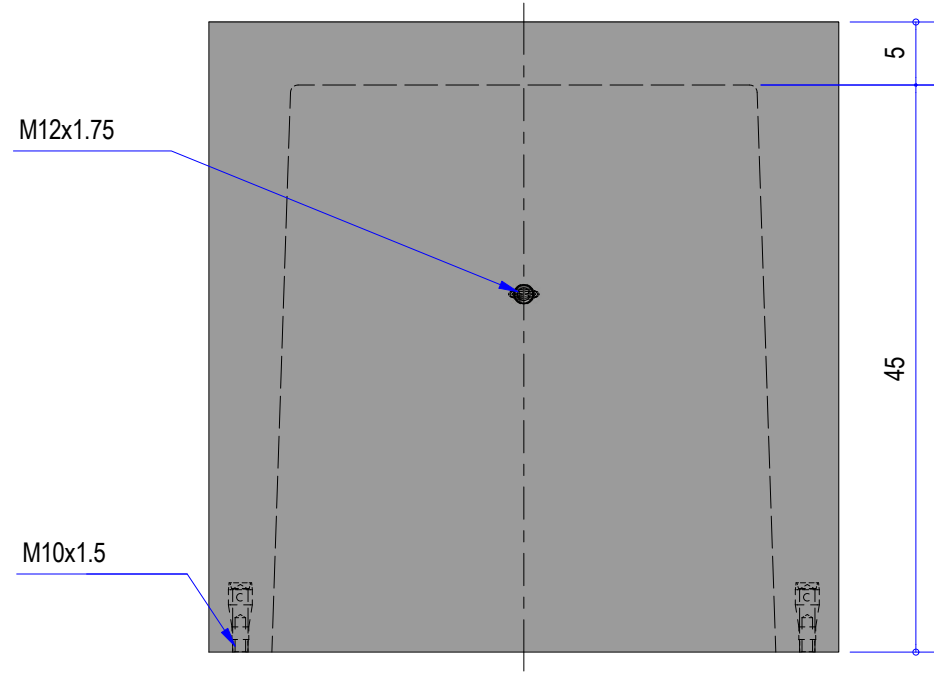
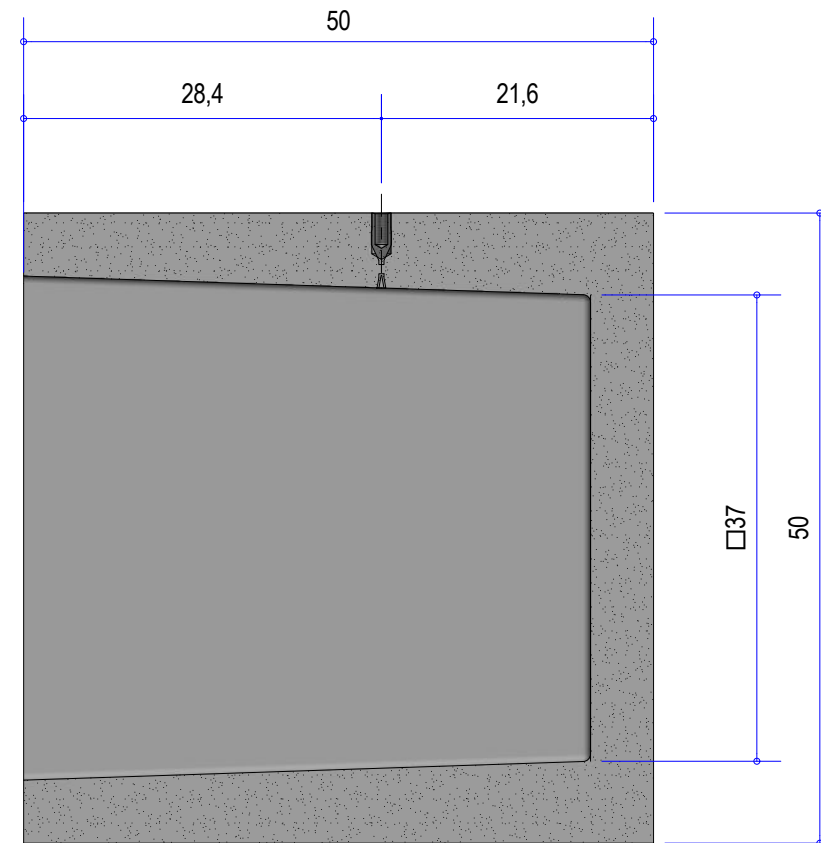
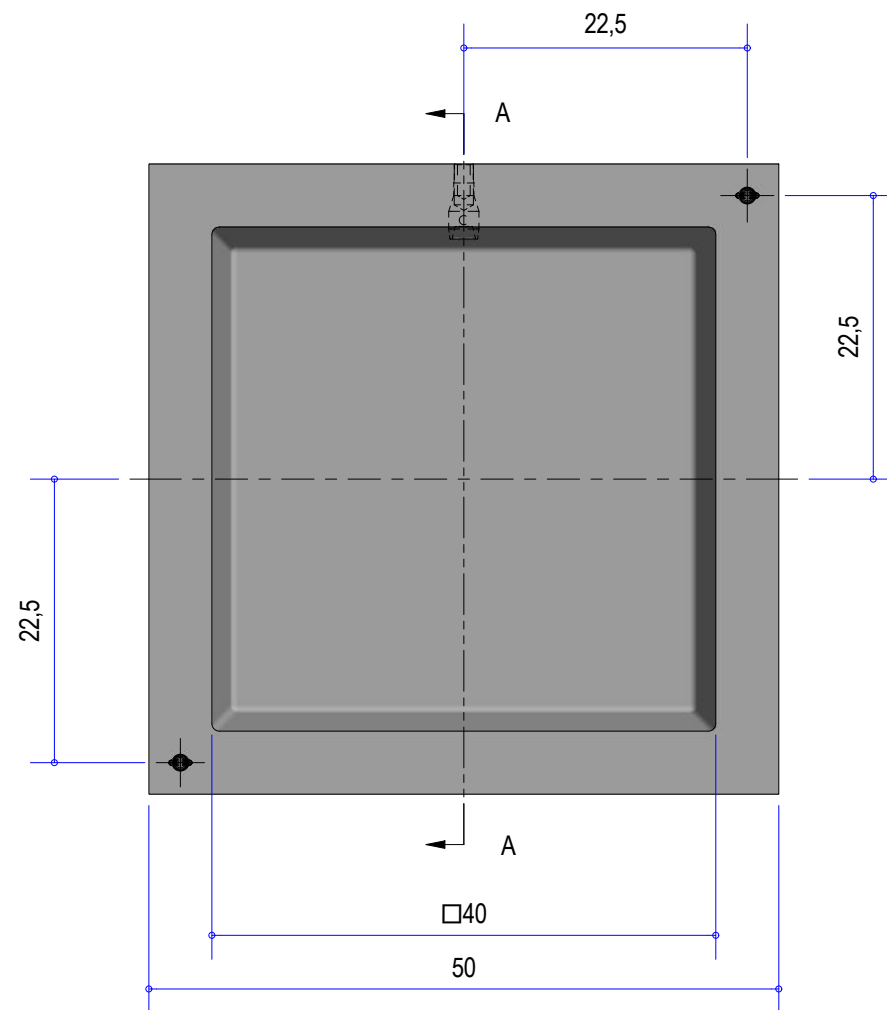


BOVENAANZICHT
VUE DE DESSUS



VOORAANZICHT
VUE DE FACE



DOORSNEDE A-A
COUPE A-A

HOOGLANTS BETON  **HOOGLANTS Beton** ☎ 02/252 22 78
Holstraat 3-5 📠 02/252 56 83
1831 Diegem ✉ info@hoolants-beton.be
🌐 www.hoolants-beton.com

MATERIAL:	BETON / BÉTON	SCALE:	1 : 6
WEIGHT:	135.7 kg	SIZE:	A3
TITLE:	COLUMBARIUM Columbarium		
SHEET:	NUMBER:	REV:	
1 of 1	C50-2D	01	

DRAWN BY:	SG	DATE:	28/02/2018
APPROVED BY:	VH	DATE:	12/04/2018
PROPRIETARY	THIS DOCUMENT MAY CONTAIN CONFIDENTIAL TECHNICAL DATA, INCLUDING TRADE SECRETS PROPRIETARY TO HOOGLANTS BETON. THE DRAWING, DESIGN RIGHTS AND ALL OTHER DISCLOSURES IN THIS DOCUMENT ARE THE PROPERTY OF HOOGLANTS BETON. UNAUTHORIZED USE, COPYING, DISTRIBUTION TO THIRD PARTIES, MANUFACTURE, OR REPRODUCTION IN WHOLE OR IN PART IS PROHIBITED.		
REMARKS:	afmetingen in cm - wijzigingen voorbehouden		