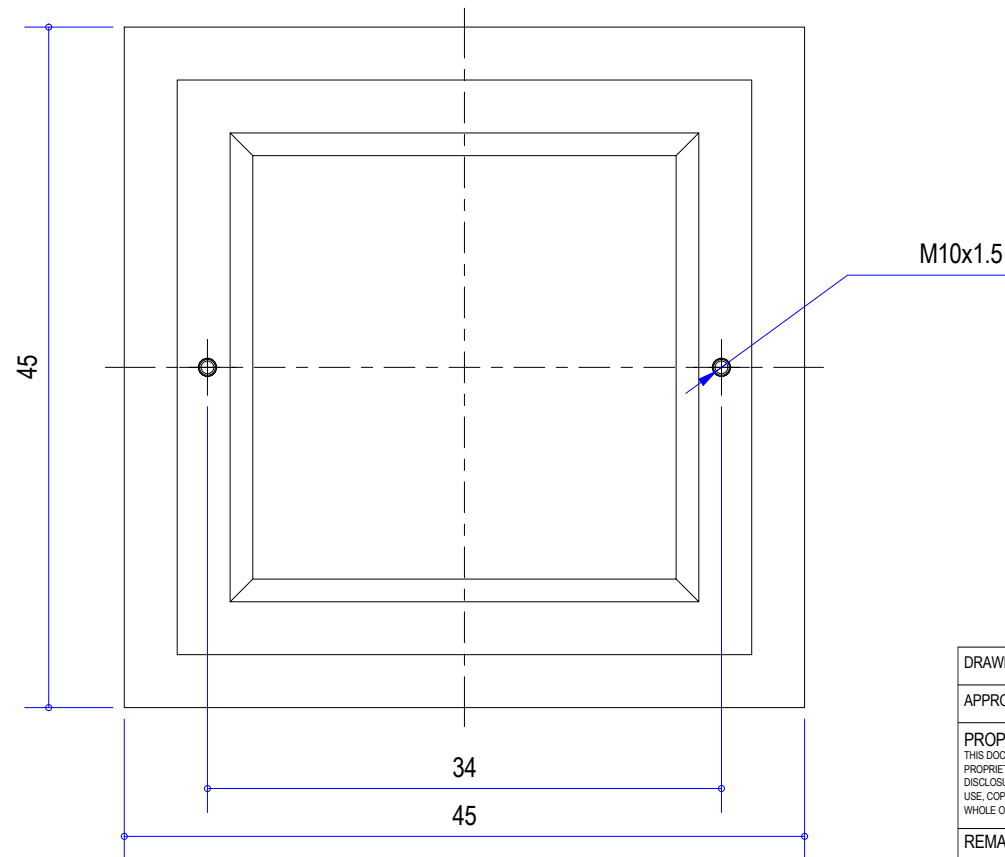
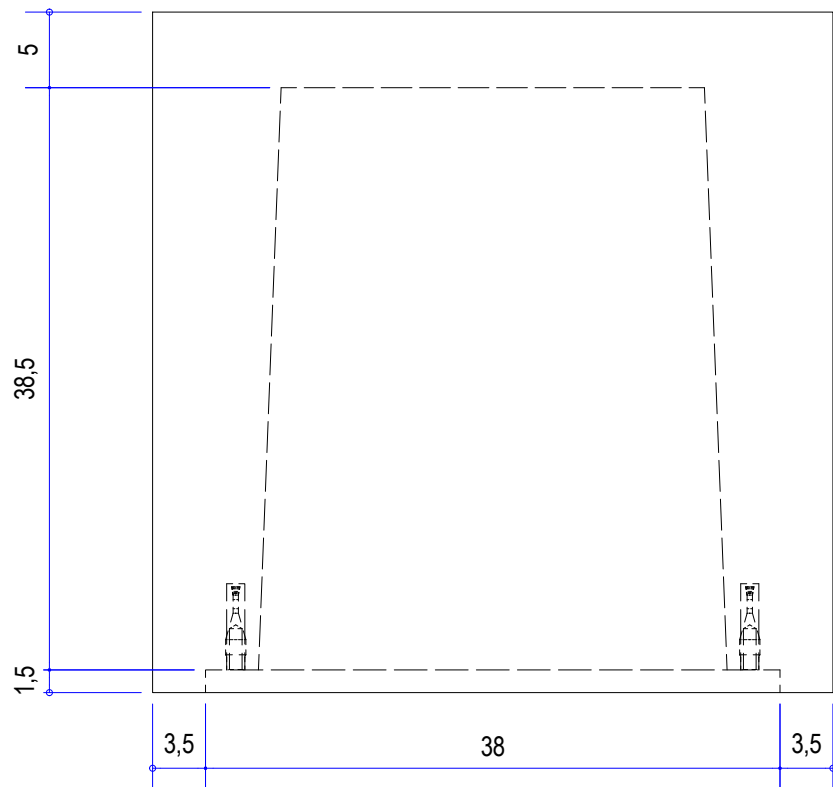
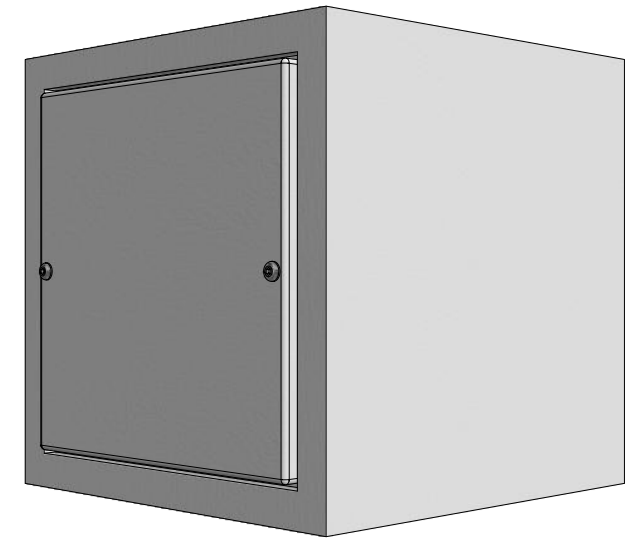
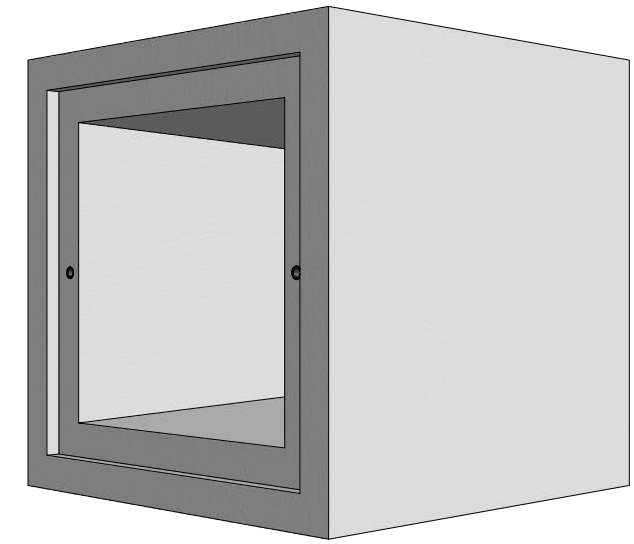
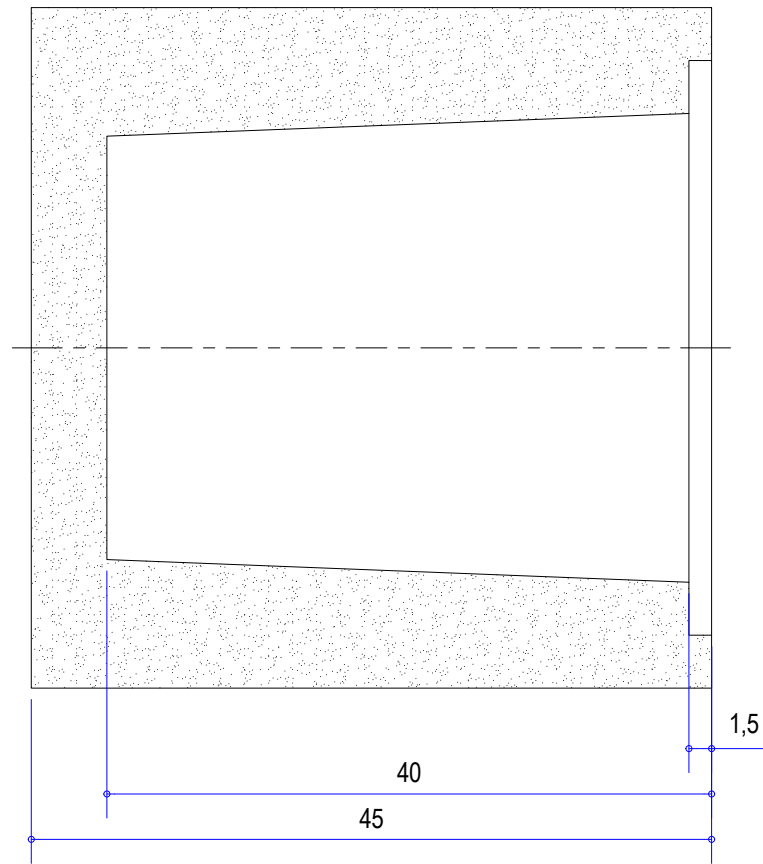



A-A  
DOORSNEDE ZIJAAZICHT  
VUE DE FACE EN COUPE



DRAWN BY:	SG	DATE:	28/06/2018
APPROVED BY:	VH	DATE:	6/07/2018
<b>PROPRIETARY</b> <small>THIS DOCUMENT MAY CONTAIN CONFIDENTIAL TECHNICAL DATA, INCLUDING TRADE SECRETS PROPRIETARY TO HOOLANTS BETON. THE DRAWING, DESIGN RIGHTS AND ALL OTHER DISCLOSURES IN THIS DOCUMENT ARE THE PROPERTY OF HOOLANTS BETON. UNAUTHORIZED USE, COPYING, DISTRIBUTION TO THIRD PARTIES, MANUFACTURE, OR REPRODUCTION IN WHOLE OR IN PART IS PROHIBITED.</small>			
REMARKS:			
afmetingen in cm - wijzigingen voorbehouden			

 <b>HOOLANTS Beton</b> Holstraat 3-5 1831 Diegem ☎ 02/252 22 78 ☎ 02/252 56 83 ✉ info@hoolants-beton.be 🌐 www.hoolants-beton.com			
MATERIAL:	BETON / BÉTON	SCALE:	1 : 5
WEIGHT:	125.1 kg	SIZE:	A3
TITLE: <b>Columbarium Wit Beton</b> Columbarium Béton Blanc			
SHEET:	NUMBER:	REV:	
1 of 1	C45W	01	